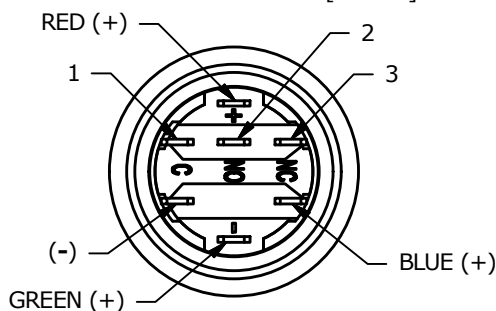
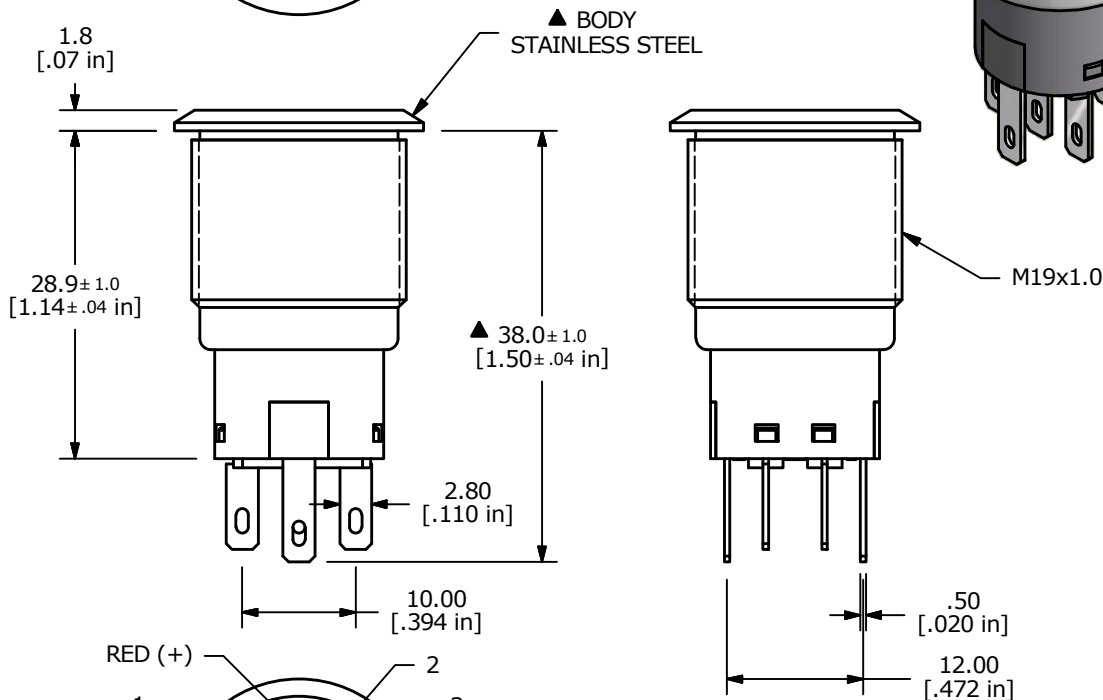
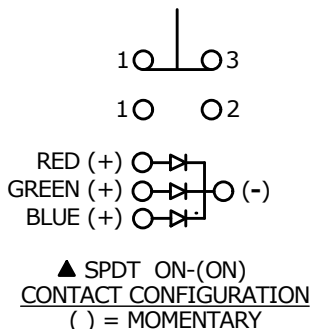


SWITCH FUNCTION	
POS. 1	POS. 2
ON	(ON)
1-3	(1-2)



NOTE:

1. ALL DIMENSIONS IN mm [INCH]
2. GENERAL TOLERANCE: X.X = ±0.4  
X.XX = ±0.25
3. TERMINAL NUMBERS FOR REF ONLY
- ▲ 4. CONTACT MATERIAL: SILVER
5. RATING: 2A 24VDC
6. ELECTRIC LIFE: 50,000 MAKE-AND-BREAK CYCLES AT FULL LOAD.
7. INSULATION RESISTANCE: 1,000 MΩ MIN.
8. DIELECTRIC STRENGTH: 2,000 VAC MIN. FOR 1 MINUTE
9. CONTACT RESISTANCE: 50mΩ MAX. @ 1A 12VDC
10. OPERATING TEMP.: -25°C to 55°C
- ▲ 11. TRAVEL: 2.8mm
12. ▲ DENOTES CRITICAL PARAMETER
13. INGRESS PROTECTION: IP67
- ▲ 14. HARDWARE SUPPLIED: O-RING AND HEXNUT
- ▲ 15. LAMP VOLTAGE: 12V



A	22461	New Release	8/18/16	MW
REV	PCR NO	DESCRIPTION	DATE	BY

TITLE PV4F2B0SS-3R4				
SCALE 3:2	DATE 8/18/2016	DR MW	DWG 52-PV4F2B0SS3R4	REV A

THE INFORMATION CONTAINED IN THIS DOCUMENT IS PROPRIETARY TO E-SWITCH AND IS NOT TO BE COPIED OR TRANSFERRED