
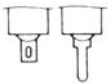

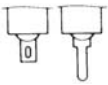










EIGHT SWITCH SERIES

8 Switch Series Selection Table

Part No.	Name	Actuator shape	Number of poles	Switching function	Terminal style	Page
8H	Lever · Rocker		1 · 2	ON — ON ON — OFF — ON (ON) — OFF — (ON) ON — OFF — (ON) ON — (ON)	 S/D P/C	339
8HD	Lever · Rocker (Dust Proof)		1 · 2		 S/D P/C	341
8M	Small Lever Rocker		1 · 2 · 3 · 4		 S/D	343
8V—M	Small Lever · Rocker PC		1 · 2		 P/C	345
8Q	Large Lever · Rocker		1 · 2 · 3 · 4		 S/D	347
8V—Q	Large Lever · Rocker PC		1 · 2		 P/C	349

●P/C: Show PC terminal.

Note: For overseas standards, see page 627.

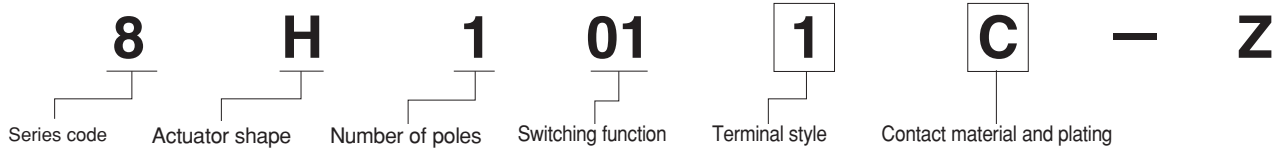
(ON) : Momentary.

8 switch series

8 Switch Series Common Specifications

Contact specs.		Silver	Gold plated
Rating	Max.	AC125V 6A AC250V 3A DC30V 4A	DC20V 25mA
Initial contact resistance		10mΩ Max. (DC2~4V 1A)	20mΩ Max. (AC200 μV 1.5mA)
Initial dielectric strength		AC1500V min	
Initial insulation resistance		1000MΩ Min. (DC500V)	
Electrical life	Alternate type	50,000 cycles	
	Momentary type	25,000 cycles	
Operating temperature range		-30~+85°C	
Storage temperature range		-40~+85°C	

Part Numbering



Code	Type
H	Lever·Rocker
HD	Lever·Rocker
M	Small Lever·Rocker
V-M	Small Lever·Rocker
Q	Large Lever·Rocker
V-Q	Large Lever·Rocker

Fig.	Number of poles
1	1 pole
2	2 poles
3	3 poles
4	4 poles

Fig.	Switching function
01	ON - ON
02	ON - OFF - ON
04	(ON)-OFF-(ON)
05	ON - OFF - (ON)
06	ON - (ON)

Fig.	Terminal style
1	Solder Terminal
2	PC Straight

Code	Contact material	Plating
None	Bs+AgまたはCu+Ag Bs+Ag or Cu+Ag	Ag
C	Bs+AgまたはCu+Ag Bs+Ag or Cu+Ag	Ni+Au

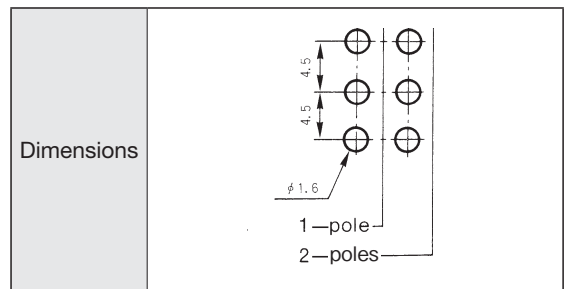
Bs=Brass.
 Cu=Copper.
 Ag=Silver.
 Ni=Nickel.
 Au=Gold

Note : For some products, the part numbers according to the above-stated combinations are not registered yet. Check the Table of Part Numbers for availability.

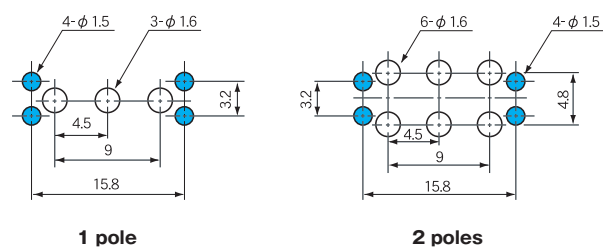
Terminal Styles

Terminal style	Solder Terminal (Style : 1)	PC Straight (Style : 2)
Dimensions		

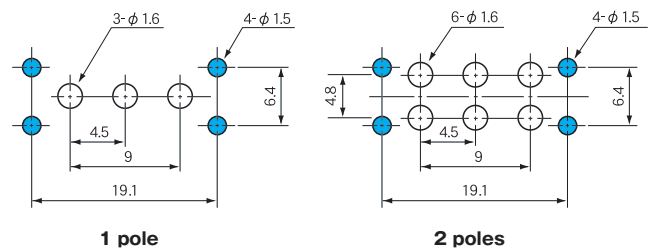
PC Hole Layouts



PC Hole Layouts



PC Hole Layouts



(ON) : Momentary.

8M



RoHS Compliant



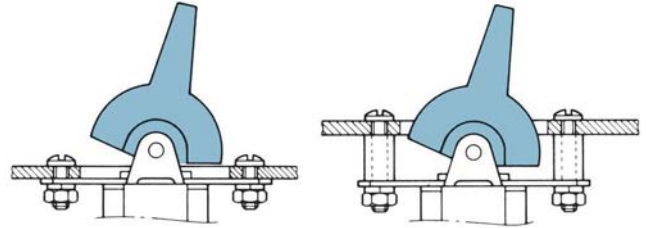
Small Lever & Rocker Switches

UL CSA

Features

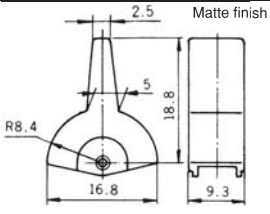
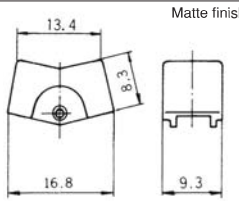
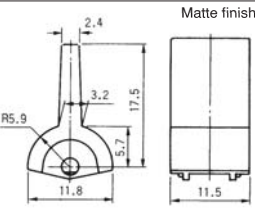
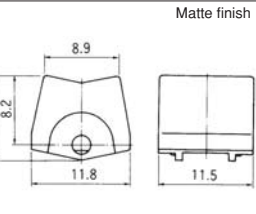
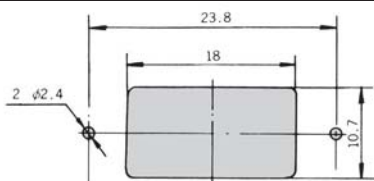
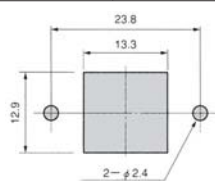
The 8M Small Lever & Rocker Switch is similar to the 8A type except that 8M type has a mounting plate. Levers and rockers are available in four matted colors that give a sober atmosphere. Choose the suitable one for the panel design. For the mounting method, see the following figure.

Mounting Method



Standard Accessories

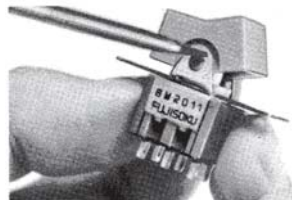
《Supplied separately》

Part name	Lever	Rocker	Lever	Rocker
Dimensions	 <p>Matte finish polycarbonate resin</p>	 <p>Matte finish polycarbonate resin</p>	 <p>Matte finish polycarbonate resin</p>	 <p>Matte finish polycarbonate resin</p>
White	14000050427	140000480509	14000050929	140000481531
Red	14000050428	140000480510	14000050930	140000481532
Black	14000050429	140000480511	14000050931	140000481533
Gray	14000050450	140000480522	14000050932	140000481534
Panel Cut-Out Dimensions				

● Specify either one of Lever or Rocker in part number when placing an order.

Mounting the Lever & Rocker

Press the selvage part of the lever/rocker with a screwdriver to fix it.



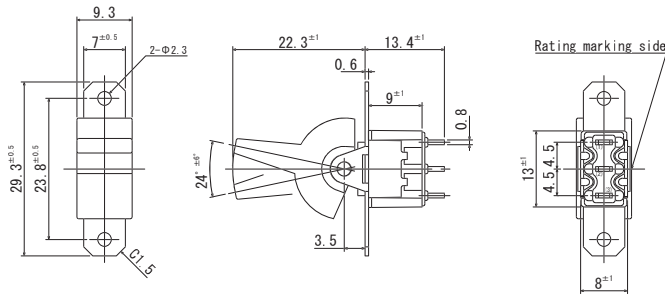
Some products in the Table of UL and CSA-Approved Products are not registered yet. Before placing the order, check with our Sales Department.

8M

SPDT



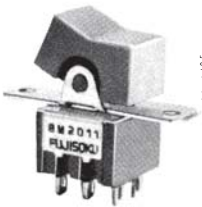
(Mount with **Lever**)



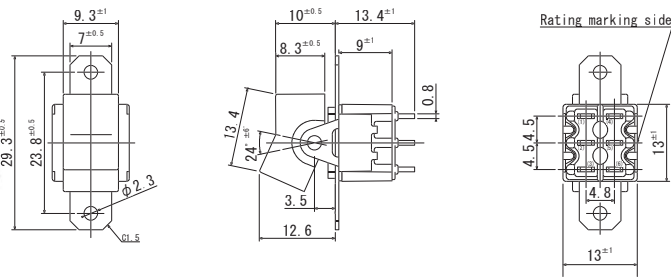
Terminal numbers are not shown on the bottom of the switch.

Switching function	Viewed from rating marking side		
Part No.			
8M1011-Z			
▲8M1011C-Z	ON	—	ON
★8M1021-Z			
▲8M1021C-Z	ON	OFF	ON
★8M1041-Z	(ON)	OFF	(ON)
▲8M1051-Z	ON	OFF	(ON)
★8M1061-Z	ON	—	(ON)
Connecting terminals	2-3	—	2-1

DPDT



(Mount with **Rocker**)



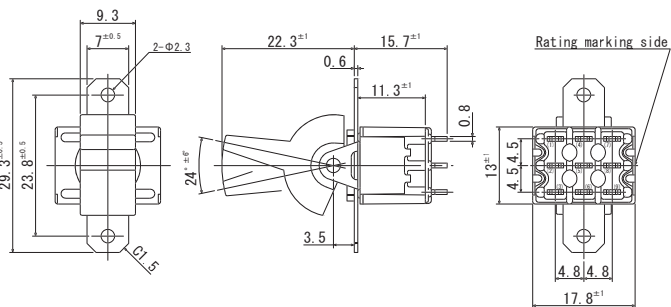
Terminal numbers are not shown on the bottom of the switch.

Switching function	Viewed from rating marking side		
Part No.			
8M2011-Z			
▲8M2011C-Z	ON	—	ON
★8M2021-Z			
▲8M2021C-Z	ON	OFF	ON
★8M2041-Z	(ON)	OFF	(ON)
★8M2051-Z	ON	OFF	(ON)
▲8M2061-Z	ON	—	(ON)
Connecting terminals	2-3 5-6	—	2-1 5-4

3PDT



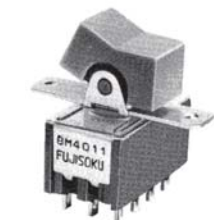
(Mount with **Lever**)



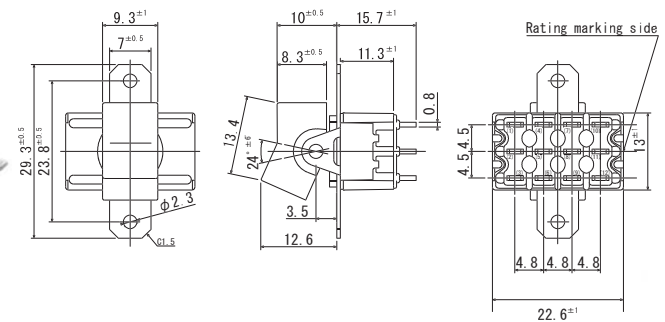
Terminal numbers are not shown on the bottom of the switch.

Switching function	Viewed from rating marking side		
Part No.			
☆8M3011-Z	ON	—	ON
★8M3021-Z	ON	OFF	ON
Connecting terminals	2-3 8-9	5-6 —	2-1 5-4 8-7

4PDT



(Mount with **Rocker**)



Terminal numbers are not shown on the bottom of the switch.

Switching function	Viewed from rating marking side		
Part No.			
☆8M4011-Z	ON	—	ON
★8M4021-Z	ON	OFF	ON
Connecting terminals	2-3 8-9	5-6 11-12	2-3 5-4 8-7 11-10

■ Handling Precautions (EIGHT switch series)

1. Soldering Specifications

(1) Soldering Specifications

Device : Soldering iron

① 420°C, Max.; 3 sec., Max.

(2) Auto Soldering

② 275°C ± 10°C, Max.; 5 seconds, Max.

Note that the above-stated soldering conditions should be applied to the PC terminal type only.

2. Flux Cleaning

(1) For the solvent, use the fluorine- or alcohol-based solvent.

Solvent: Fluorine or Alcohol type

(2) Since the **8** Switch Series switches are not waterproof-structured, if the PC board is to be cleaned, clean the soldering surface of substrate with a brush so that the switch is not exposed to the cleaning solution.

3. Mounting

- Do not bend the terminals before mounting the switch on the PC board.
- After mounting the switch, do not place the device in such a way that the device weight will be applied on the knob of the switch.
- To fix the PC terminal type, solder it on the PC board after fixing the switch body on the panel with the screw.

UL and CSA listed

(Lever·Rocker Type Only)

■ 8 Switch Series

Poles	Switching function			UL (File No.E43275)						CSA (File No.LR38341)					
				8H	8HD	8M	8V-M	8Q	8V-Q	8H	8HD	8M	8V-M	8Q	8V-Q
1-pole	101□	ON	—	ON	○	○	○	○	○	○	○	○	○	○	○
	102□	ON	— OFF —	ON	○	○	○	○	○	○	○	○	○	○	○
	104□	(ON)	— OFF —	(ON)	○	○	○	○	○	○	○	○	○	○	○
	105□	ON	— OFF —	(ON)	○	○	○	○	○	○	○	○	○	○	○
	106□	ON	—	(ON)	○	○	○	○	○	○	○	○	○	○	○
2-poles	201□	ON	—	ON	○	○	○	○	○	○	○	○	○	○	○
	202□	ON	— OFF —	ON	○	○	○	○	○	○	○	○	○	○	○
	204□	(ON)	— OFF —	(ON)	○	○	○	○	○	○	○	○	○	○	○
	205□	ON	— OFF —	(ON)	○	○	○	○	○	○	○	○	○	○	○
	206□	ON	—	(ON)	○	○	○	○	○	○	○	○	○	○	○
3-poles	301□	ON	—	ON	○	○	○	○	○	○	○	○	○	○	○
	302□	ON	— OFF —	ON	○	○	○	○	○	○	○	○	○	○	○
4-poles	401□	ON	—	ON	○	○	○	○	○	○	○	○	○	○	○
	401□	ON	— OFF —	ON	○	○	○	○	○	○	○	○	○	○	○

- (1) □ shows the terminal type of ① : Solder terminal; ② : PC terminal.
- (2) Some products in the Table of UL and CSA Listed are not registered yet. Before placing the order, check with our Sales Department.
- (3) For the registered products, refer to Table of Part Numbers of respective Series products.
- (4) When the UL and CSA approved products are required, specify "UL /CSA approved Product" when placing the order. The products will be delivered with the UL or CSA marking.