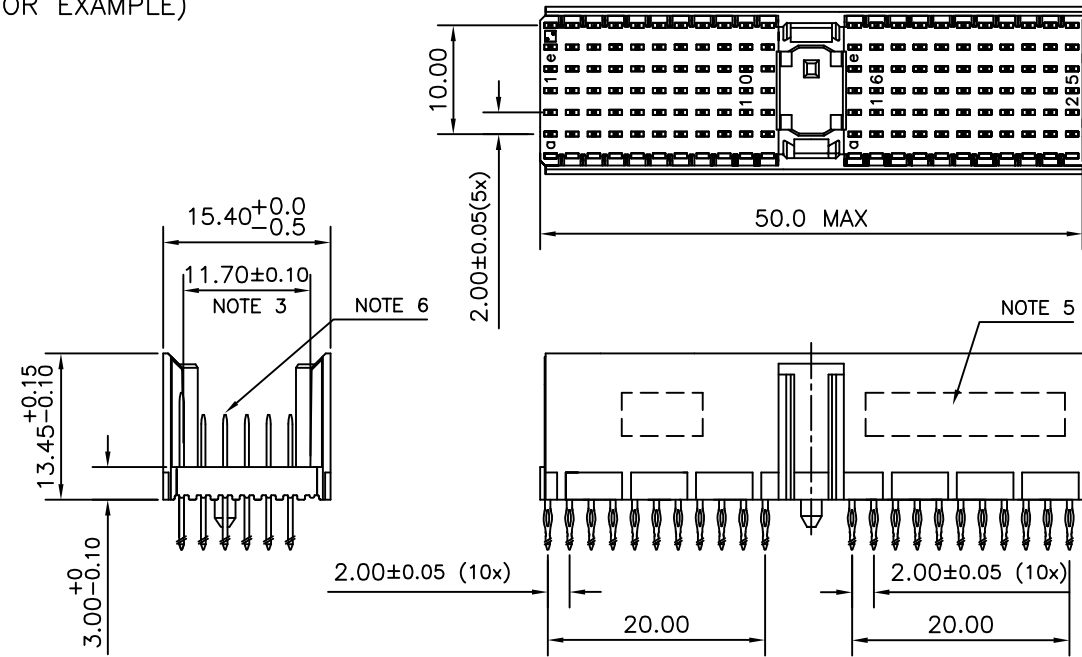


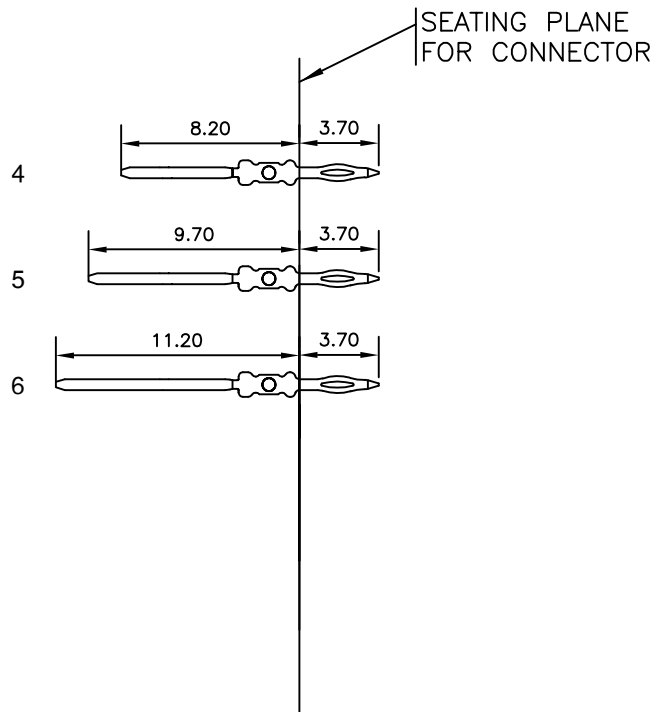
LOADING PATTERN MATING SIDE

f	6	6	6	6	6	6	6	6	6	6			6	6	6	6	6	6	6	6	6	6	6	6	6	6	6	6
e	6	6	5	5	5	5	5	5	5	5			5	5	5	5	5	5	6	4	4	6	6					
d	6	6	5	5	5	5	5	5	5	5			5	5	5	5	5	5	6	4	4	6	6					
c	6	6	5	5	5	5	5	5	5	5			5	5	5	5	5	5	6	4	4	6	6					
b	6	6	5	5	5	5	5	5	5	5			5	5	5	5	5	5	6	4	4	6	6					
a	6	6	5	5	5	5	5	5	5	5			5	5	5	5	5	5	6	4	4	6	6					
z	0	0	0	0	0	0	0	0	0	0			0	0	0	0	0	0	0	0	0	0	0					
P O S	0	0	0	0	0	0	0	0	0	0			0	0	0	0	0	0	0	0	0	0	0					
	1	5											1	5					2	0								

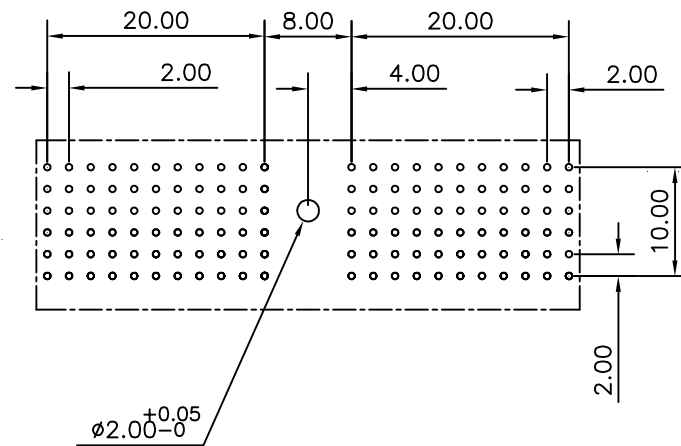
LOADED CONNECTOR ASSEMBLY (FOR EXAMPLE)



CONTACT OVERVIEW



LAY-OUT P.C.B.-HOLE



LEAD FREE INDICATOR : LF = LEAD FREE (DIGIT 15 & 16)

HM2PN1PDG3T9---

PLATING CODE (DIGIT 13 AND 14)
(REF DRW NO. BS,C , 201844 , 003)

NOTES

- THIS PRODUCT IS CSA APPROVED.
- THIS PRODUCT IS UL RECOGNIZED.
- MEASURED AT THE BOTTOM.
- MATERIAL CONTACT: PHOSPHORBRONZE
HOUSING: CREAM WHITE GLASS FILLED POLYESTER UL-94V0
- CONNECTOR PRINTED WITH P/N AND DATE CODE.
- FOR ACTUAL CONTACT LOADINGS, SEE LOADING PATTERN MATING SIDE.
- SHAPE OF CONNECTOR HOUSING CAN ALTER DEPENDING ON PRODUCTION LOCATION
- THIS PRODUCT (LF) MEETS EUROPEAN UNION DIRECTIVES AND OTHER COUNTRY REGULATIONS AS DESCRIBED IN GS-22-008
- FOR RECOMMENDED PTH DIMENSIONS REFER DRAWING : BS, A , 201572 , 001

PART NO: HM2PN1PDG3T9----

mat'l. code SEE NOTE 4				surface ISO 1302	tolerance ISO 406 ISO 1101	projection	product family MILLIPACS				
ltr	ecn no	dr	date	tolerances unless otherwise specified			MM	title MPACS 5+2R STR HDR PF CONN TYPE A (WIDTH = 15.4 MAX)			
A	107-0121	MINI	2007-09-19	angles	linear	0°±1°		scale	-		
				dr	MINI K VANDANATH	2007-09-19	F C I		dwg no BS, C , 203028,781	sheet 1 of 1	size A3
				enr	BIJU K PAUL	2007-09-19	type Product Customer Drawing				
				chr	BIJU K PAUL	2007-09-19					
				appd	BIJU K PAUL	2007-09-19					
sheet index	revision sheet	A	1								