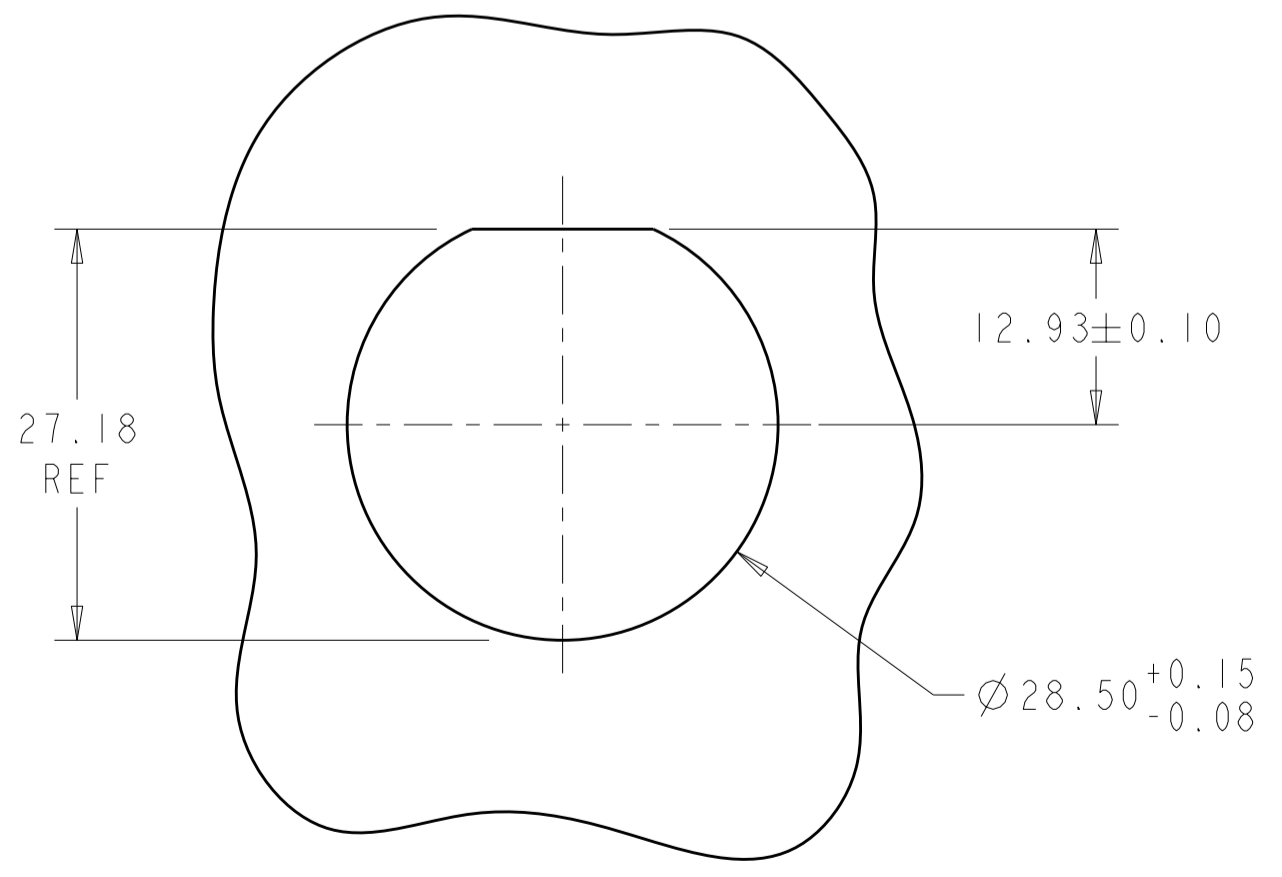
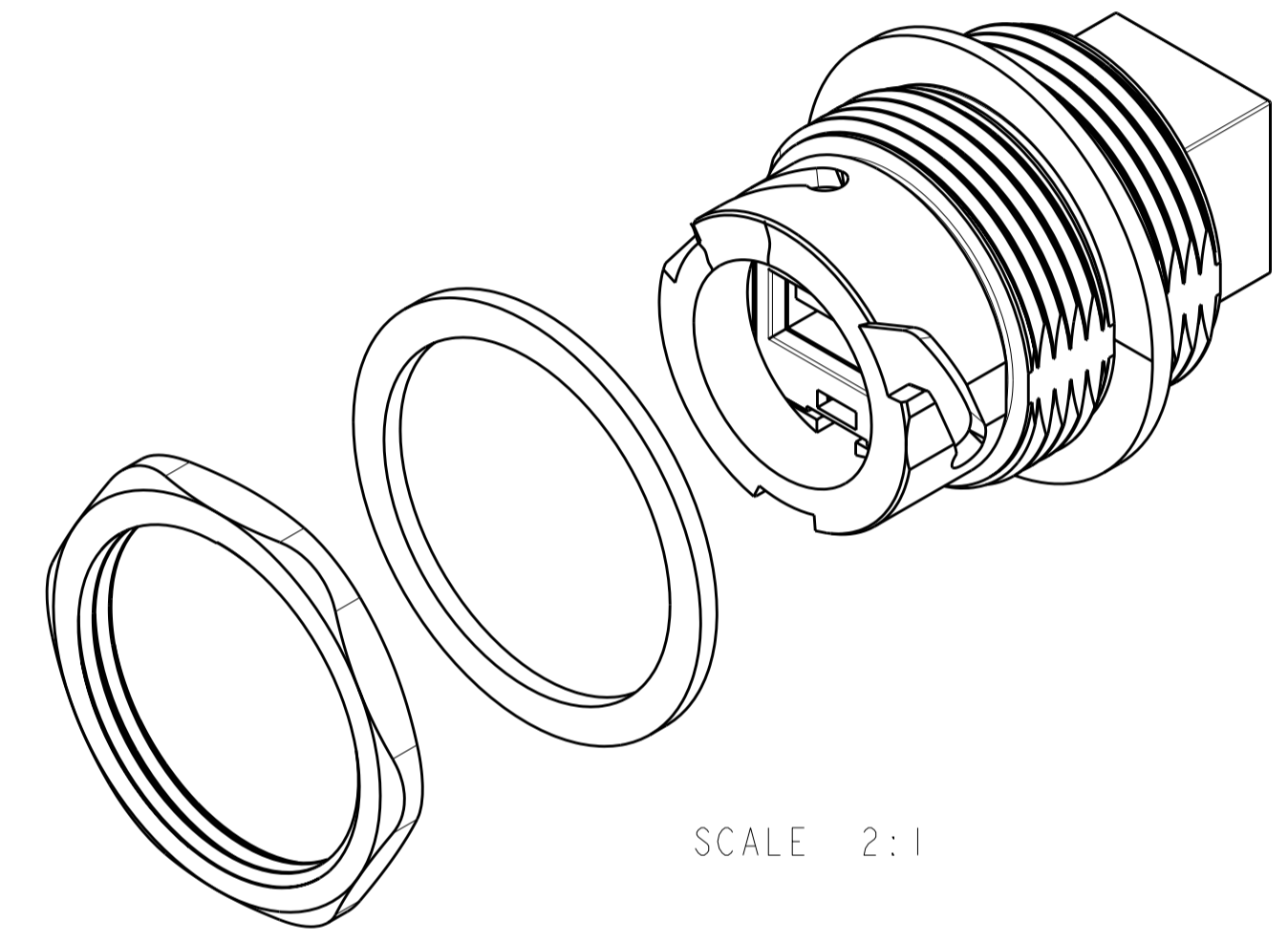
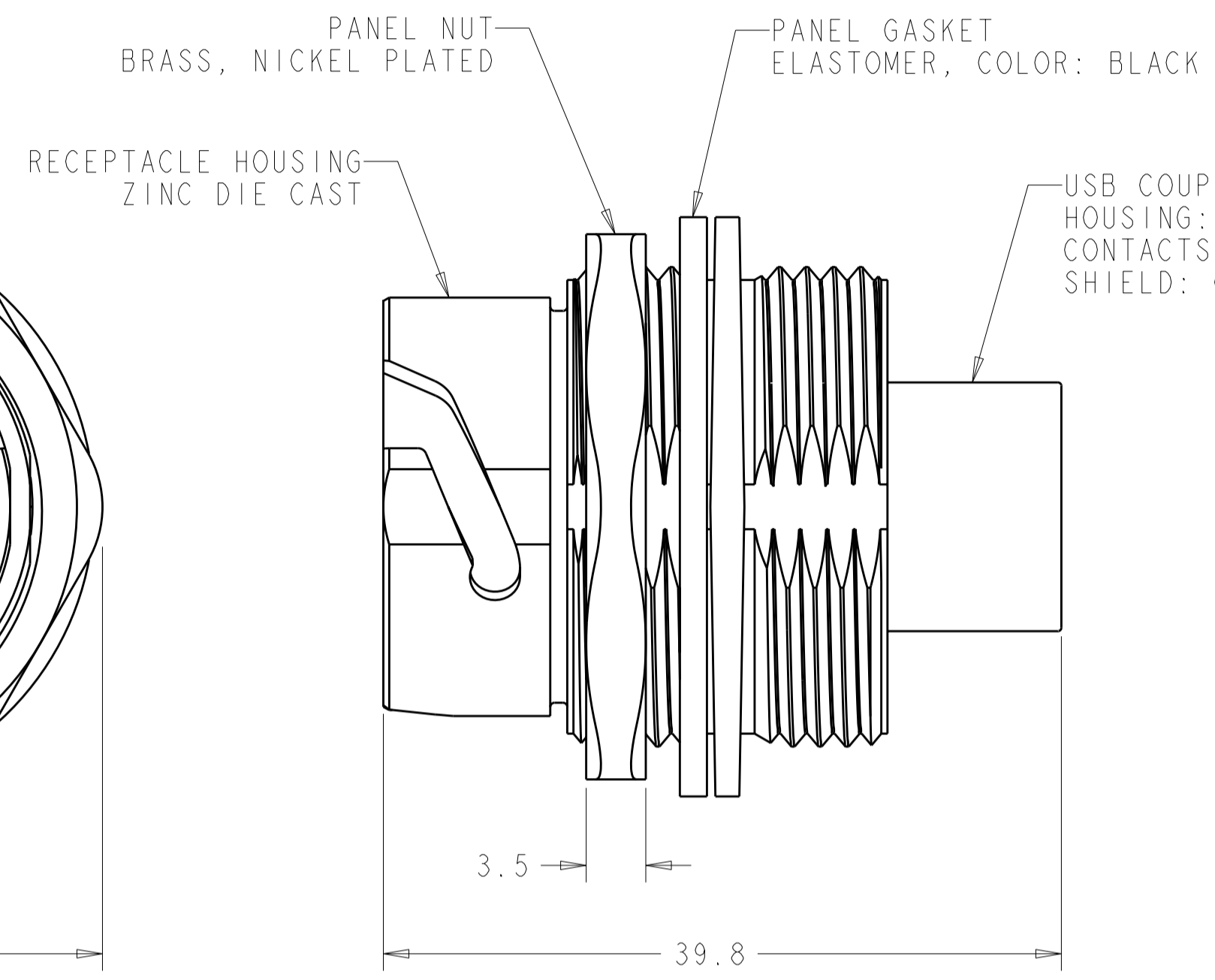
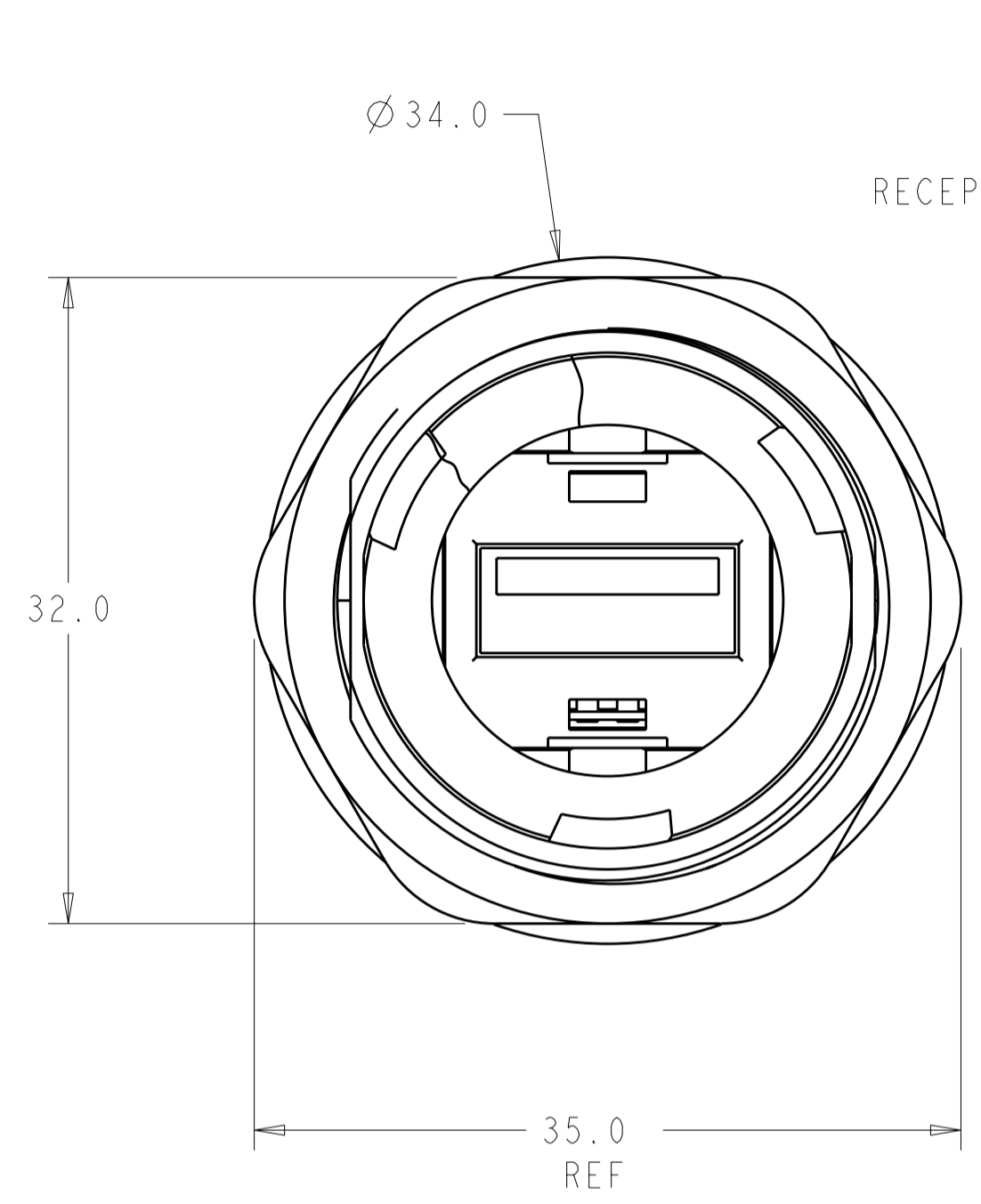


THIS DRAWING IS UNPUBLISHED. RELEASED FOR PUBLICATION 20
 © COPYRIGHT 20 BY TYCO ELECTRONICS CORPORATION. ALL RIGHTS RESERVED.

LOC		DIST		REVISIONS			
P	LTR	DESCRIPTION	DATE	DWN	APVD		
	A	REVISED PER ECO-09-017978	19AUG2009	SS	MS		



RECOMMENDED PANEL CUTOUT

- CONNECTOR MAY BE FRONT OR REAR MOUNTED TO A MAXIMUM PANEL THICKNESS OF 3.2 mm.
- 2. PANEL NUT AND PANEL GASKET ARE PACKAGED UNASSEMBLED IN POLYBAG.
- 3. COUPLER LINES CROSSOVER BETWEEN POSTS.
- 4. THIS PRODUCT HAS NOT COMPLETED VALIDATION TESTING.
- 5. PACKAGE KITS IN A TE 12120 BOX; MAXIMUM BOX WEIGH SHALL NOT EXCEED 35 POUNDS. USE BUBBLE WRAP ON THE BOTTOM BEFORE FILLING AND ON THE TOP TO FILL THE SPACE IN THE BOX.

2058364-1
PART NUMBER

THIS DRAWING IS A CONTROLLED DOCUMENT FOR TYCO ELECTRONICS CORPORATION. IT IS SUBJECT TO CHANGE AND THE CONTROLLING ENGINEERING ORGANIZATION SHOULD BE CONTACTED FOR THE LATEST REVISION.		DWN S. WELDON 12MAY2008	Tyco Electronics Harrisburg, PA 17105-3608	
DIMENSIONS: mm		CHK K. DAMODHARAN 12MAY2008	NAME RECEPTACLE KIT, METAL SHELL, SERIES A TO SERIES A SEALED, INDUSTRIAL USB CONNECTOR	
TOLERANCES UNLESS OTHERWISE SPECIFIED: 0 PLC ±1 1 PLC ±0.2 2 PLC ±0.10 3 PLC ±0.000 4 PLC ±0.0000 ANGLES ±1° FINISH		APVD K. DAMODHARAN 12MAY2008	RESTRICTED TO	
MATERIAL		PRODUCT SPEC 108-2318	SIZE A2	CAGE CODE 00779
		APPLICATION SPEC 114-13211	DRAWING NO 2058364	REV A
		WEIGHT -	SCALE 3:1 SHEET 1 OF 1	
		CUSTOMER DRAWING		