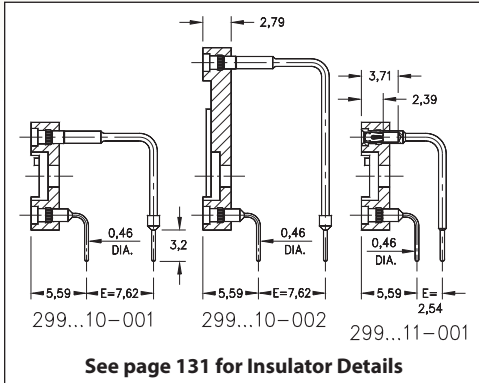
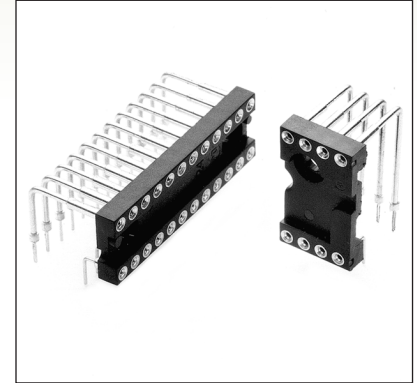


DUAL-IN-LINE SOCKETS

SERIES 299 • RIGHT ANGLE MOUNT • CLOSED FRAME



- Ideal for mounting components, such as LED displays, where the face must be parallel to the PCB surface
- Sockets have solder tail termination and are available with either 7,62 (standard) or 2,54 row spacing
- Series 299 uses MM #1103/0903, #1103/1610 or #1103/0904 pins. See pages 166 & 167 for details
- Hi-Rel, 4-finger BeCu #30 contact is rated at 3 amps. See page 253 for details
- Insulators are high temperature thermoplastic, suitable for all soldering operations
- For Electrical, Mechanical and Environmental Data, see page 264 for details



Total number of pins				Quantity per tube	ORDERING INFORMATION	
	A	B	C		E = 2,54	E = 7,62
6	7,6	7,62	10,1		299-XX-306-11-001000	* 299-XX-306-10-001000
8	10,1	7,62	10,1		299-XX-308-11-001000	* 299-XX-308-10-001000
10	12,6	7,62	10,1		299-XX-310-11-001000	* 299-XX-310-10-001000
12	15,2	7,62	10,1	33	299-XX-312-11-001000	* 299-XX-312-10-001000
14	17,7	7,62	10,1	29	299-XX-314-11-001000	* 299-XX-314-10-001000
16	20,3	7,62	10,1	25	299-XX-316-11-001000	* 299-XX-316-10-001000
18	22,8	7,62	10,1	22	299-XX-318-11-001000	* 299-XX-318-10-001000
20	25,3	7,62	10,1	20	299-XX-320-11-001000	* 299-XX-320-10-001000
24	30,4	7,62	10,1	16	299-XX-324-11-001000	* 299-XX-324-10-001000
8	10,1	15,24	17,7	50		299-XX-608-10-002000
10	12,6	15,24	17,7	40		299-XX-610-10-002000
12	15,2	15,24	17,7	34		299-XX-612-10-002000
14	17,7	15,24	17,7	28		299-XX-614-10-002000
16	20,3	15,24	17,7	25		299-XX-616-10-002000
18	22,8	15,24	17,7	22		299-XX-618-10-002000
20	25,3	15,24	17,7	20		299-XX-620-10-002000
22	27,8	15,24	17,7	18		299-XX-622-10-002000
24	30,4	15,24	17,7	16		299-XX-624-10-002000
26	33,0	15,24	17,7	15		299-XX-626-10-002000
28	35,5	15,24	17,7	14		299-XX-628-10-002000
30	38,1	15,24	17,7	13		299-XX-630-10-002000
32	40,6	15,24	17,7	12		299-XX-632-10-002000
36	45,7	15,24	17,7	11		299-XX-636-10-002000
40	50,8	15,24	17,7	10		299-XX-640-10-002000
SPECIFY PLATING CODE XX =					93	43
Sleeve (Pin)					5,08µm Sn/Pb	5,08µm Sn
Contact (Clip)					0,76µm Au	0,76µm Au



XX=Plating Code
See Below

* Not available in tubes

