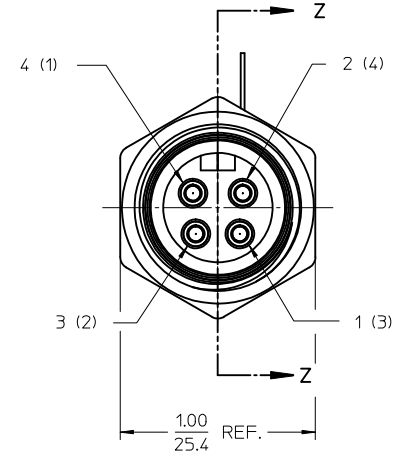
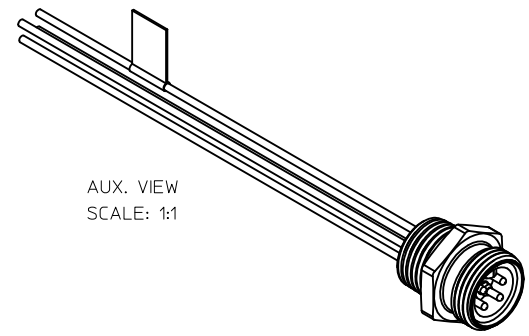
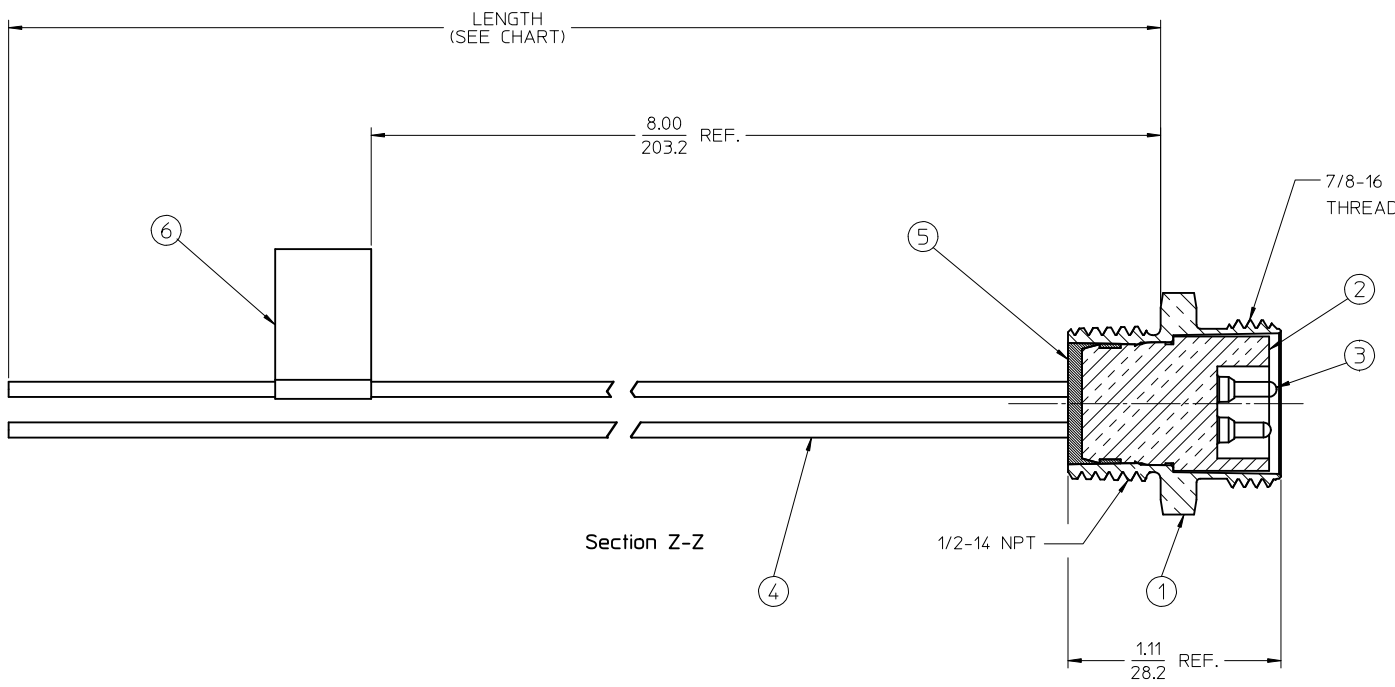
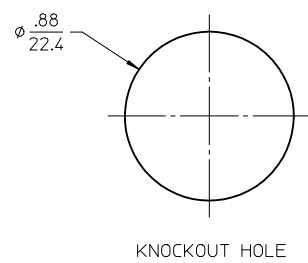


MATERIAL NO.	ENGINEERING NO.	LENGTH
1300130341	1R4006A16A120	12.0 +.75 -0 (304.8 +19.1 -0)



- NOTES:
 1. MATERIAL: SEE TABLE
 2. FINISHES: SEE TABLE
 3. MATES WITH: 4C MINI CHANGE CABLE
 4. ELECTRICAL SPECIFICATIONS:
 VOLTAGE RATING: 300V AC/DC
 CURRENT RATING: 5.6 AMPS
 5. ASSEMBLY IS RoHS COMPLIANT



CENELEC EN 50 044
 PINOUT SHOWN
 (SAE-J-1738A PINOUT
 SHOWN IN PARENTHESIS)

BROWN	1 (3)
WHITE	2 (4)
BLUE	3 (2)
BLACK	4 (1)

WIRE DIAGRAM

6	1	LABEL	PLASTIC FILM	BLACK/YELLOW
5	1	POTTING MATERIAL	EPOXY	
4	4	WIRE, 18 AWG	PVC INSULATION	SEE WIRE DIAGRAM
3	4	CONTACT PIN	Cu ALLOY	GOLD PLATED
2	1	INSERT	PVC	YELLOW
1	1	RECEPTACLE SHELL	ZINC DIE-CAST	BLACK
ITEM	QTY.	DESCRIPTION	MATERIAL	FINISH

RELEASED
 EC NO: MNA2011-0130
 DRAWN: WOODMAN 2010/12/06
 CHKD:
 APPR: JFMURPHY 2010/12/10

QUALITY SYMBOLS
 ▽=0
 ▽=0

GENERAL TOLERANCES (UNLESS SPECIFIED)

	mm	INCH
4 PLACES ±	---	±---
3 PLACES ±	---	±---
2 PLACES ±	---	±.01
1 PLACE ±	0.3	±---

ANGULAR ±1/2°

DRAFT WHERE APPLICABLE
 MUST REMAIN
 WITHIN DIMENSIONS

DIMENSION STYLE
 IN/MM

DRAWN BY R.STONE DATE 2009/08/21
 CHECKED BY B.WOODMAN DATE 2009/08/27
 APPROVED BY JFMURPHY DATE 2009/08/26

MATERIAL NO.
SEE CHART

SIZE C

SCALE 2:1
 DESIGN UNITS INCH
 THIRD ANGLE PROJECTION

TITLE
**MINI-CHANGE, RECEPTACLE
 4P, MALE, 18 AWG**

MOLEX INCORPORATED

DOCUMENT NO. SD-130013-079
 SHEET NO. 1 OF 1

THIS DRAWING CONTAINS INFORMATION THAT IS PROPRIETARY TO MOLEX INCORPORATED AND SHOULD NOT BE USED WITHOUT WRITTEN PERMISSION