

TITLE
24
COMPLIANCE

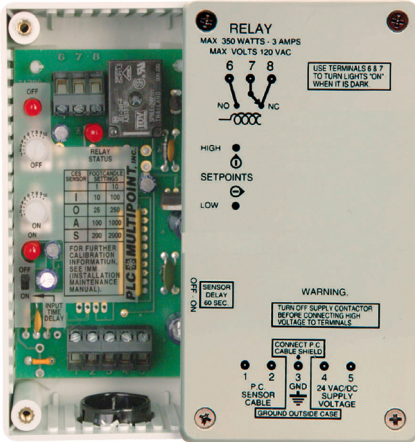


PROJECT INFORMATION

Project Name _____

Catalog No. _____

Date _____



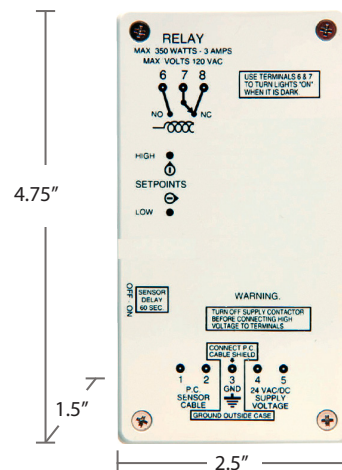
DLCPC

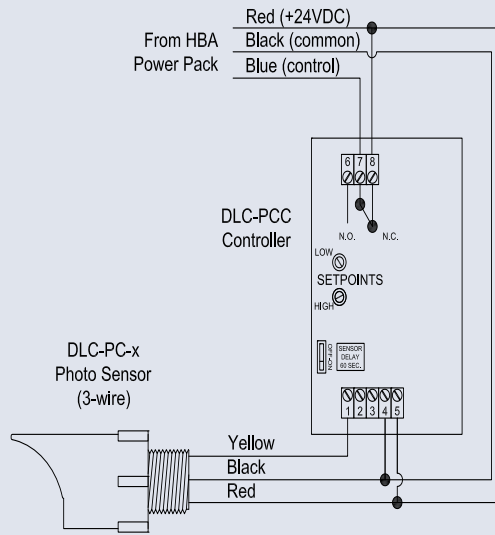
Hubbell Controls' DLCPC is the ideal system for providing indoor, outdoor, or skylight control of lighting circuits based on daylight. The DLCPC lighting controller automatically switches a dry contact in response to changes in natural light levels. The DLCPC provides a maintained single pole, double throw "Form C" relay output to drive electrically-held contactors or relays, or inputs to Building Automation Systems. The low voltage controller requires a remotely mounted photoconductive (PC) sensor (sold separately).

The DLCPC continuously compares the remote sensor's signal against the LOW and HIGH light level set points. When the sensor detects decreasing light levels that corresponds with the LOW set point, the lights are switched ON. Conversely, as light levels increase and the sensor's signal matches the HIGH set point, the lights are switched OFF. The LOW and HIGH set points are separated by a "deadband." This prevents the DLCPC from switching light levels between set points, thus eliminating nuisance or intermittent changes.

PRODUCT FEATURES

- Adjustable on/off set points
- Dual power unit input: 24VAC or 24VDC
- Flexible control options
- Input time delay
- Two set points available for separate on and off levels
- Five-year limited warranty
- Low voltage device: 24 Vdc





General Specifications

Accuracy	+/- 1 percent at 70°F (21°C) Derated +/- 5 percent above 120°F or below 0°F (49°F / -18°C)
Sensor Type	CD S Photoconductive 2 wire
Power Requirements	24VAC or 24VDC standard
Dead Band	Adjustable: 5-95%
Indicators	Red High and Low LEDs
Input Delay	Standard 30-second sensor (removable for adjustment)
Control Inputs	Photoconductive Sensor Calibration / Simulator (for optional DLCSIMM)
Output	Standard form C SPDT relay 10A resistive
Operating environment	Operating Temp: -13°F to 140°F (-11°C to 60°C) Indoor use only
Construction	Sensor is mounted on a wall switch faceplate
Dimensions	4.75" height x 2.5" width x 1.5" depth
Color	White
Warranty	Five-year limited

Ordering Information

DLC PCC	
MODEL	
DLC PCC	Photocell Controller



HUBBELL
Control Solutions