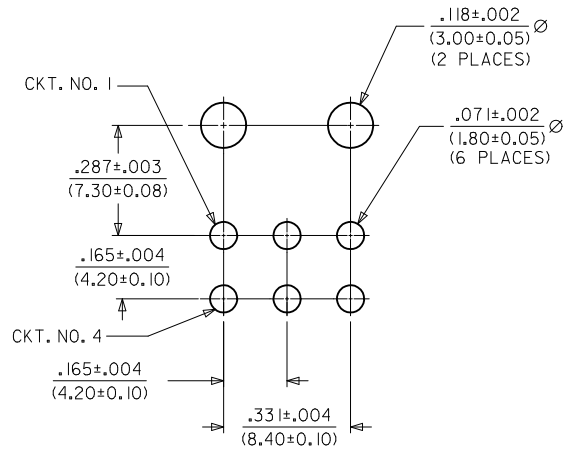
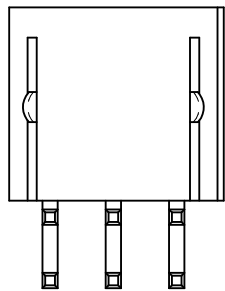
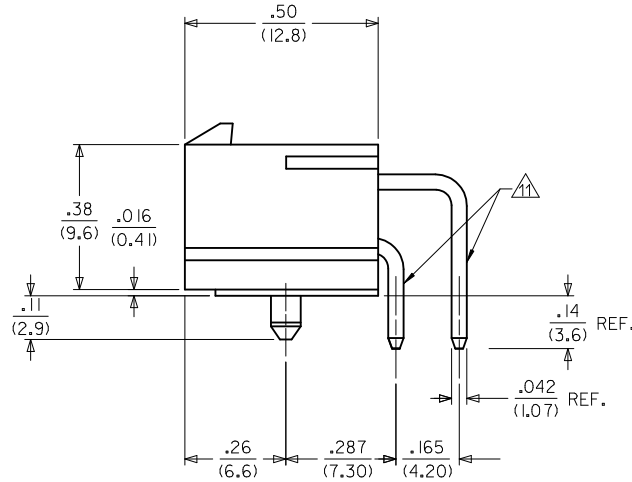
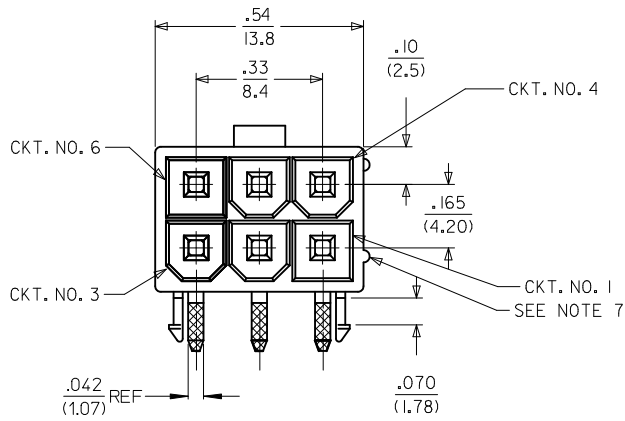


MATERIAL NUMBER	NUMBER OF PEGS
455580003	2



RECOMMENDED HOLE LAYOUT FOR
.070/(1.78) MAX. THICK P.C. BOARD.
VIEWED FROM COMPONENT SIDE OF BOARD.

NOTES:

- MATERIAL:
HOUSING: NYLON, UL94 V-0, COLOR: BLACK
TERMINALS: BRASS
 - TERMINAL FINISH:
.000100/(.00254) MIN. MATTE TIN OVER
.000050/(.00127) MIN. NICKEL OVERALL.
 - PRODUCT SPECIFICATION: PS-45558-001
 - PACKAGING: PER PK-5569-002
 - PARTS MATE WITH MINI-FIT JR. RECEPTACLE 455590002.
 - PARTS ARE NOT DESIGNED FOR CURRENT SHARING.
 - FULL RIB INDICATES CIRCUIT NO. 1.
 - PARTS ARE NOT TO BE MATED OR UNMATED WHILE CIRCUITS ARE LIVE.
 - DISCOLORATION IN THE BANDOLIER CARRIER AREA OF THE PIN IS INHERENT TO THE PLATING PROCESS AND IS DUE TO THE MASKING EFFECT OF THE CARRIER. THIS DISCOLORATION IS IN A NON-FUNCTIONAL AREA OF THE PIN AND WILL NOT AFFECT THE PERFORMANCE OF THE HEADER ASSEMBLY.
 - PART CONFORMS TO CLASS "B" REQUIREMENTS OF COSMETIC SPECIFICATION PS-45499-002.
- ▲ FORMING MARKS ARE ACCEPTABLE.

CHANGE PLATING EC NO: UCP2012-1560 DRAWN: NGUYEN 2012/01/18 CHKD: BELL 2012/01/18 APPR: FSMITH 2012/02/02	QUALITY SYMBOLS ▽=0 ▽=0 ▽=0	GENERAL TOLERANCES (UNLESS SPECIFIED)		DIMENSION STYLE IN/MM		SCALE 4:1	DESIGN UNITS METRIC	THIRD ANGLE PROJECTION	
				DRAWN BY DATE GEP 2003/11/11		TITLE 6 CKT RTAN HEADER ASSY SPECIAL POLARIZATION MINI-FIT JR. SERIES			
				CHECKED BY DATE YLM 2003/11/11		MATERIAL NO. SD-45558-001			
				APPROVED BY DATE FSMITH 2012/02/02					
		ANGULAR ±1/2°		SEE CHART		DOCUMENT NO.		SHEET NO. 1 OF 1	
		DRAFT WHERE APPLICABLE MUST REMAIN WITHIN DIMENSIONS		SIZE C		THIS DRAWING CONTAINS INFORMATION THAT IS PROPRIETARY TO MOLEX INCORPORATED AND SHOULD NOT BE USED WITHOUT WRITTEN PERMISSION			