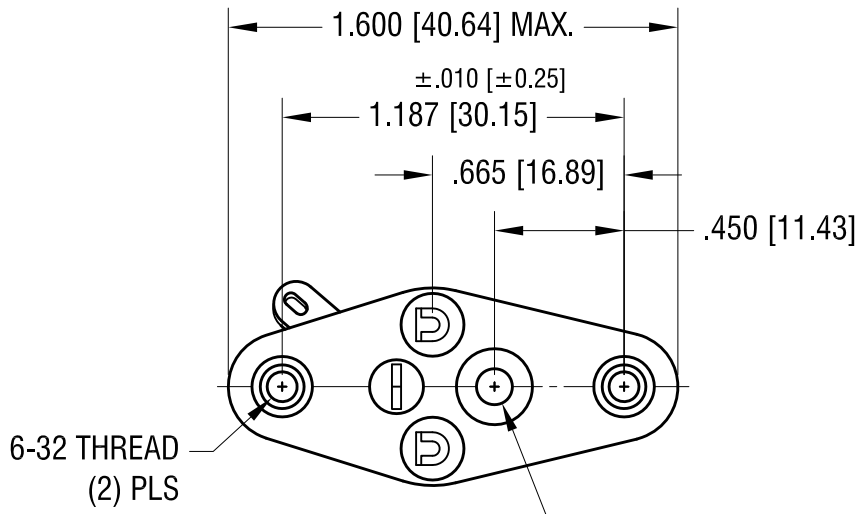
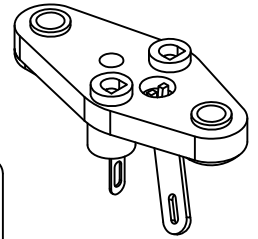
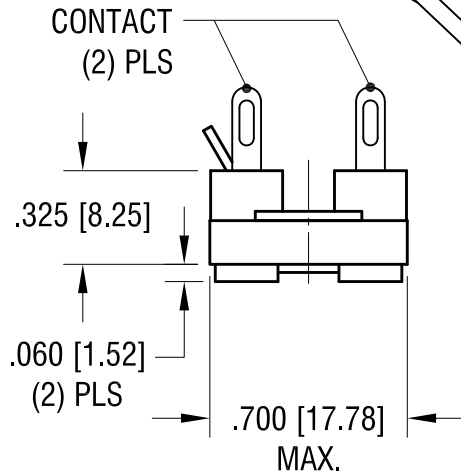
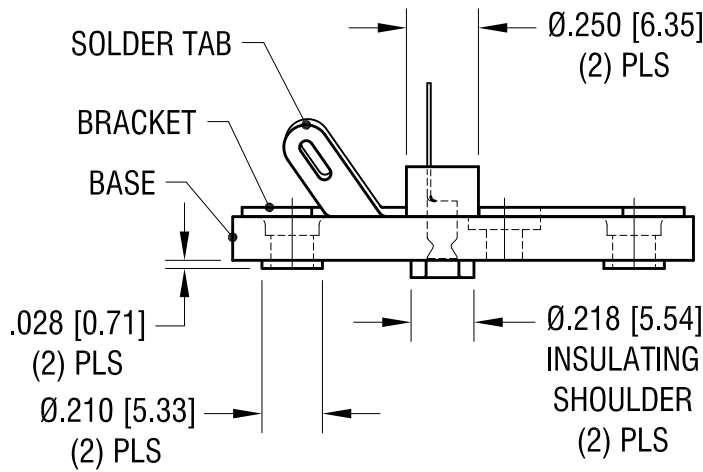


THIS DOCUMENT IS THE PROPERTY OF KEYSTONE ELECTRONICS CORP. AND SHALL NOT BE REPRODUCED, DISTRIBUTED OR USED AS A BASIS FOR MANUFACTURE WITHOUT PRIOR WRITTEN PERMISSION FROM KEYSTONE ELECTRONICS CORP.

ACTUAL SIZE



NOTES:

BASE, INSULATING:
MAT'L - PBT (BLACK COLOR) UL 94V-0

BRACKET, MOUNTING:
MAT'L - .032 [0.81] TH'K BRASS
FINISH - TIN PLATE

CONTACT:
MAT'L - .012 [0.30] TH'K BRASS
FINISH - TIN PLATE

3.23.15	BASE MAT'L WAS POLYESTER CHANGE AS PER ECN15-034	B
5.18.04	CHANGE AS PER ECN 04-038	A
DATE	DESCRIPTION	REV.

KEYSTONE ELECTRONICS CORP.			
www.keyelco.com • ASTORIA, N.Y. 11105-2017 • Tel (718) 956-8900			
PART NAME TO-3 SINGLE TAB TRANSISTOR SOCKET			
MATERIAL AS NOTED			
FINISH AS NOTED		DRN BY BOONE	DATE 10.8.82
		APP'D LN	SCALE 1.5X
TOLERANCES DECIMAL ANGULAR UNLESS OTHERWISE SPECIFIED	INCH [MM] ±.005 [±0.15]	CODE C	DWG NO. 4513